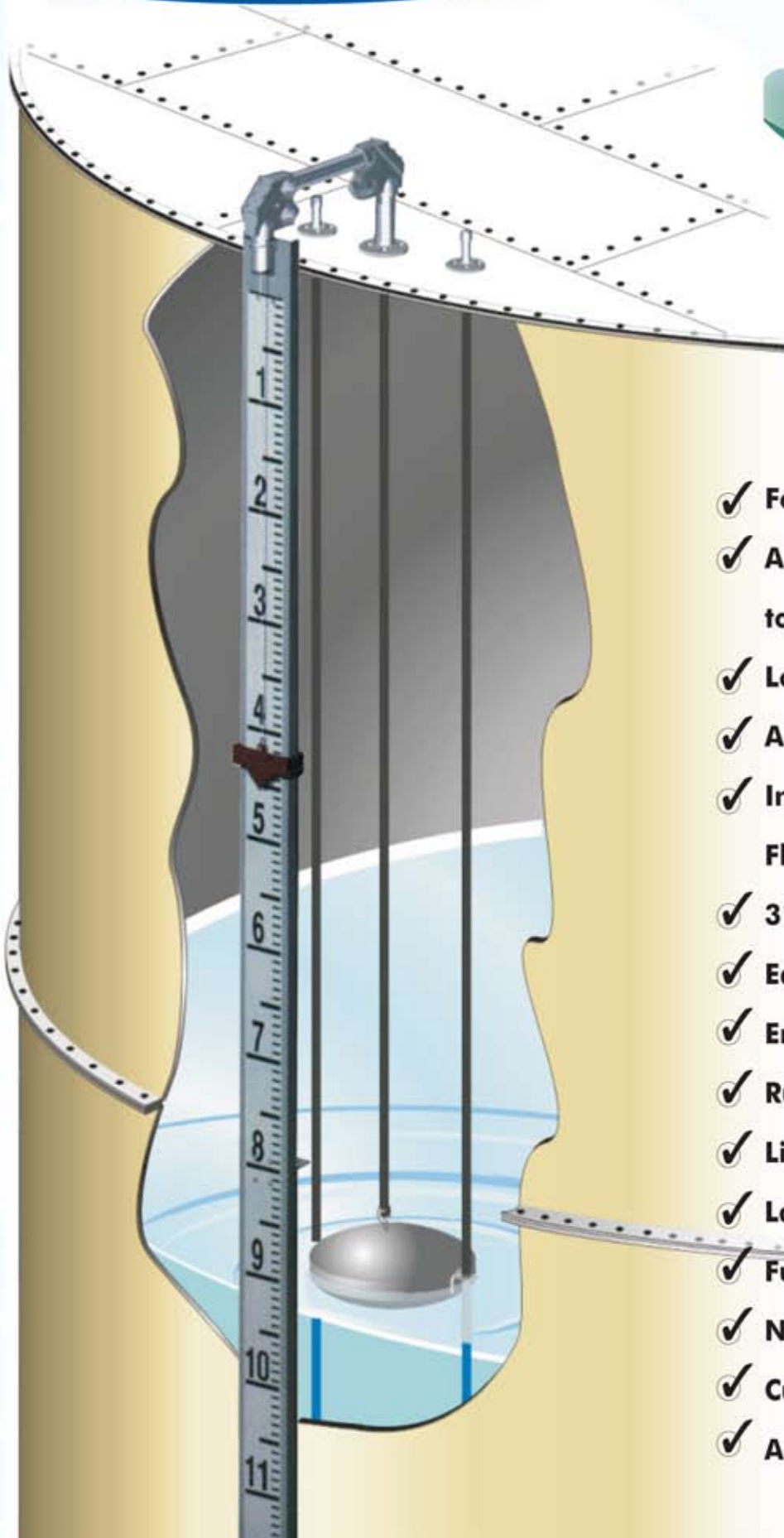


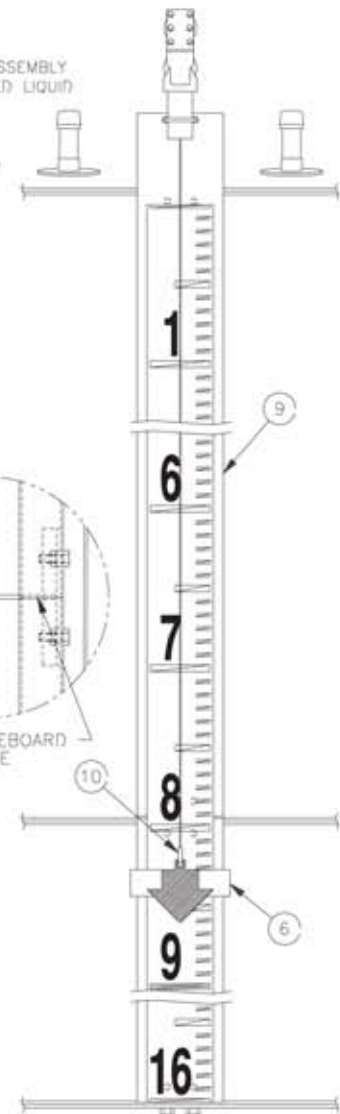
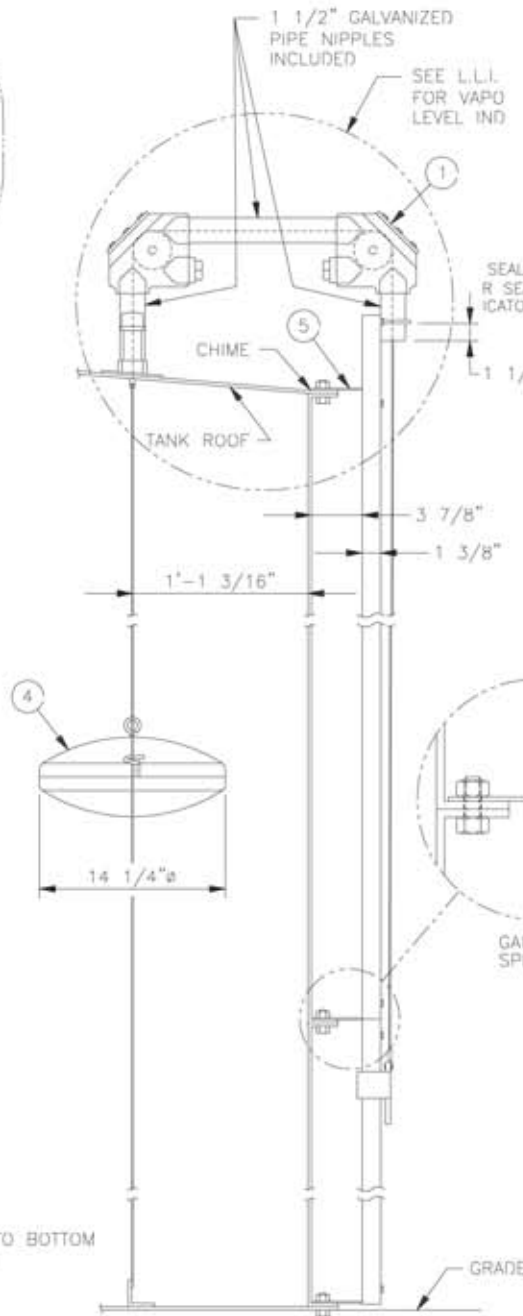
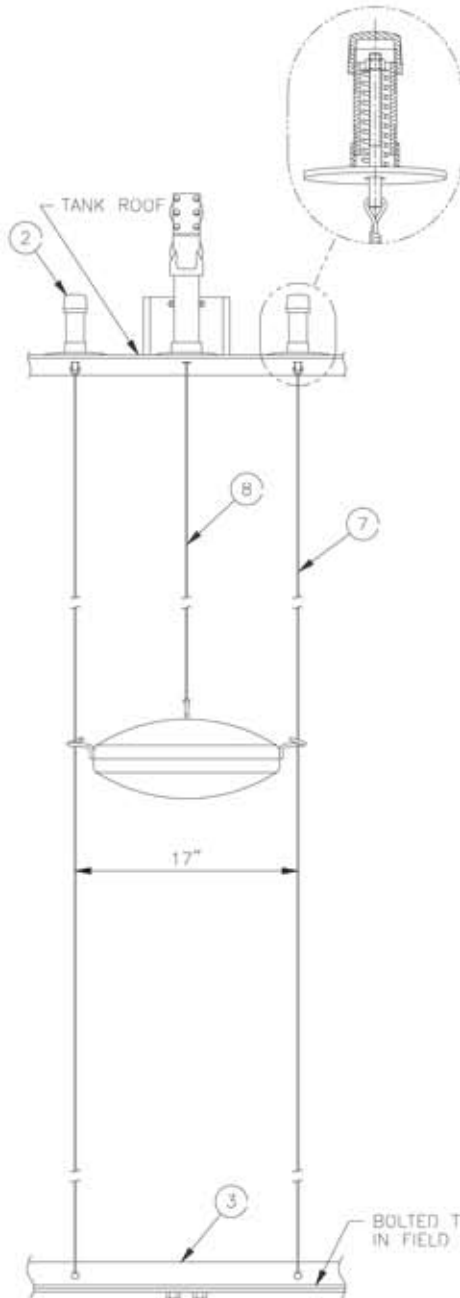
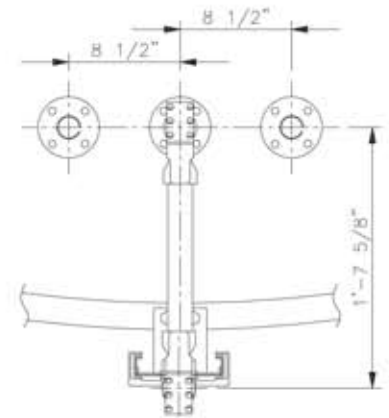
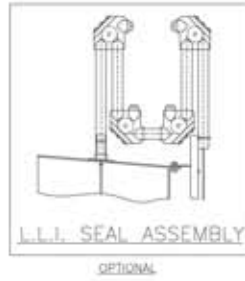
LIQUID LEVEL INDICATOR

- ✓ For Bolted & Welded Steel Tanks
- ✓ Also Available for Glass-Fused to Steel Tanks
- ✓ Low Cost & Easy To Install
- ✓ Accurate To Within - 1 Inch
- ✓ Install On Open, Cone, Floating or Flat Roofs
- ✓ 316 Stainless Steel Internals
- ✓ Easy To Read 4" High Numbers
- ✓ English or Metric Units Available
- ✓ Rugged Anodized Aluminum Board
- ✓ Liquid Seal Available
- ✓ Large Inventory In Stock
- ✓ Full or Half Travel Available
- ✓ No Height Limitations
- ✓ Custom Features Available
- ✓ Adaptable To Other Type Tanks



LIQUID LEVEL INDICATOR

ITEM	DESCRIPTION	STD. MATL'S
1	SHEAVE ELBOW	CAST ALUMINUM
2	TOP ANCHOR	STEEL (GALV.) w/ 316 SST. INT.
3	BOTTOM ANCHOR	STEEL (GALV.)
4	FLOAT	316 SST.
5	SUPPORT BRACKET	STEEL (GALV.)
6	INDICATOR	CAST ZINC
7	FLOAT GUIDE WIRE	316 SST.
8	FLOAT CABLE	316 SST.
9	GAUGE BOARD	ALUMINUM
10	CABLE CRIMP FITTING	STAINLESS STEEL
11	PIPING NIPPLES	1 1/2" PIPE (GALV.)



UNITED STATES SALES AND SERVICE LOCATIONS

RANCHO CUCAMONGA 9500 Lucas Ranch Road, Rancho Cucamonga, CA 91730 (909) 912-0580 FAX (909) 912-0588
 BAKERSFIELD 19436 Colombo St., Bakersfield, CA 93308 (661) 392-0188 FAX (661) 392-8770
 HOUSTON 4812 Old Richmond Road, Rosenberg, TX 77471 (281) 342-0750 FAX (281) 342-0751

www.superiortank.com
 e-mail: sales@superiortank.com

VENTAS Y ATENCION AL CLIENTE PARA MEXICO Y CENTRO AMERICA

GUADALAJARA AV. Mariano Otero #3431 Piso 3 Suite 1, Col Verde Valle, Guadalajara, Jal. C.P. 45060 (33) 3123-2586